

GRAB RAILS & BACK RESTS

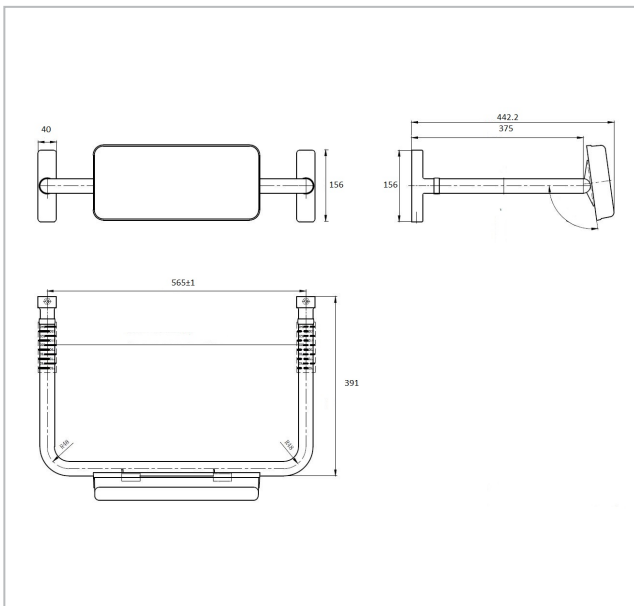


MLR119MKII Straight Rail Padded Backrest

SPECIFICATIONS

Material	#304 Satin Stainless Steel Frame & Mounts, White Padded PVC Backrest
Mounting	Concealed Fix
Features	20mm Adjustable Height on Backrest
Backrest Standoff	Adjustable depth to suit installation requirements
Note	Installation instructions provided * This unit is accessible compliant when installed in accordance with AS1428.1. guidelines.
Related Video	Stainless Steel Cleaning & Maintenance

SUITABLE APPLICATIONS



The photographs and line drawings of the products presented above are representational only.
Metlam Australia Pty Ltd reserves the right to, and from time to time, make changes and improvements in design and dimensions.